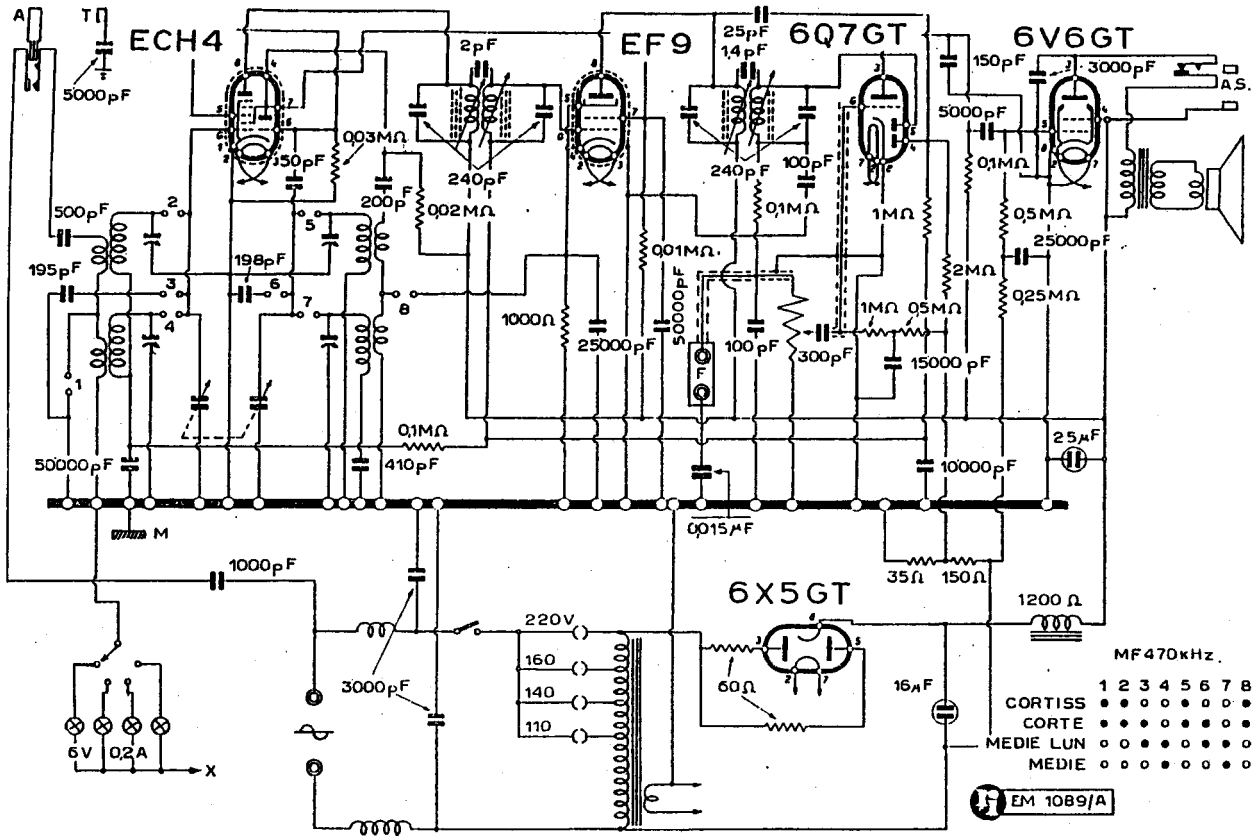


Phonola

| | |
|---------------------------|----------------------------|
| Modello | 577/A |
| Varianti | |
| Data | |
| Tipo | Supereterodina a 5 valvole |
| Alimentazione | c.a. con autotrasformatore |
| Valvole installate | ECH4, EF9, 6Q7, 6V6, 6X5 |
| Note | |



MF 470 kHz.

| | 1 | 2 | 3 | 4 | 5 | 6 | 7 | 8 |
|-----------|---|---|---|---|---|---|---|---|
| CORTISS | • | • | • | • | • | • | • | • |
| CORTE | • | • | • | • | • | • | • | • |
| MEDIE LUN | • | • | • | • | • | • | • | • |
| MEDIE | • | • | • | • | • | • | • | • |

EM 1089/A